

## Ball valve 3400 and 3400S

- Dezincification resistant brass
- Female thread  $\frac{3}{8}$ " - 2"
- Low/high neck
- Full flow valve
- Double stem gaskets



### Description

Ball valve.

### Construction

Ball valve in dezincification resistant brass with full flow (bore), gaskets in PTFE and NBR. Connection female thread  $\frac{3}{8}$ " - 2". Handle in steel.

Model 3400  
Standard.

Model 3400S  
High neck for insulation penetration. Neck in aluminium.

### Marking

CR, DN, PN and company logotype.

### Maintenance

The ball valve must be operated periodically, two to three times a year.

### Technical data

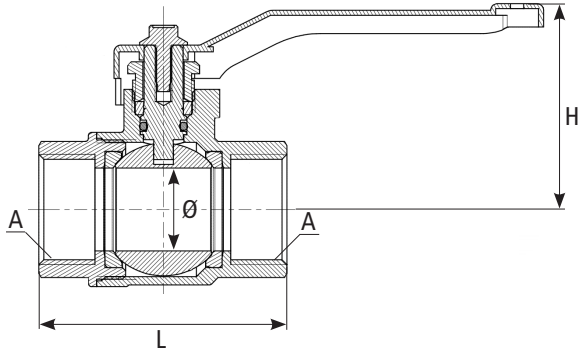
Body	Dezincification resistant brass CW625N
Ball seal	PTFE
Stem gaskets	PTFE and NBR

Maximum working pressure: 40 bar  
Maximum working temperature: +100°C  
Minimum working temperature: -10°C

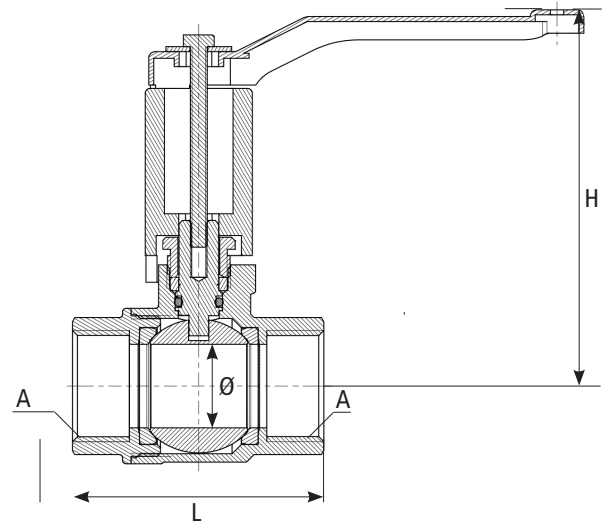
*Subject to technical changes and corrections without notice*

## Ball valve 3400 and 3400S

### 3400



### 3400S



Item number	Description	Connection thread A	Length L	Centrum height H	Bore Ø	Weight (kg per piece)
0434000100	Ball valve 3400-10 3/8"F, handle	3/8"F	45,5	50	10	0,18
0434000150	Ball valve 3400-15 1/2"F, handle	1/2"F	55,5	53	15	0,24
0434000200	Ball valve 3400-20 3/4"F, handle	3/4"F	66	56	20	0,35
0434000250	Ball valve 3400-25 1"F, handle	1"F	75	62	25	0,51
0434000320	Ball valve 3400-32 1 1/4"F, handle	1 1/4"F	85	81	32	0,95
0434000400	Ball valve 3400-40 1 1/2"F, handle	1 1/2"F	97	86	39	1,36
0434000500	Ball valve 3400-50 2"F, handle	2"F	109	92,5	48	1,95
0434001100	Ball valve 3400S-10 3/8"F, high neck, handle	3/8"F	45,5	93,5	10	0,25
0434001150	Ball valve 3400S-15 1/2"F, high neck, handle	1/2"F	55,5	95	15	0,30
0434001200	Ball valve 3400S-20 3/4"F, high neck, handle	3/4"F	66	99,5	20	0,42
0434001250	Ball valve 3400S-25 1"F, high neck, handle	1"F	75	106,5	25	0,64
0434001320	Ball valve 3400S-32 1 1/4"F, high neck, handle	1 1/4"F	85	132	32	1,11
0434001400	Ball valve 3400S-40 1 1/2"F, high neck, handle	1 1/2"F	97	138	39	1,50
0434001500	Ball valve 3400S-50 2"F, high neck, handle	2"F	109	144	48	2,10

All dimensions in millimetres

Subject to technical changes and corrections without notice